

JW7622 Multifunctional Flashlight



Patent No.: 200830104216.8

■ Applications

- Designed for illumination and signal light for outdoor areas.
- Suitable for illumination of rescue works, search works, emergency sites, etc.

■ Features

- Ultra bright white LED light source provides service life up to 100000 hours.
- Reflector offers high reflectivity. Lighting distance is over 100 m and visible distance is over 5000 m.
- Three lighting modes: spotlight, working light and flash light, available for use as illumination and signal light.
- Light head can be used as a defensive tool.
- Memory-free battery features high capacity, low self-discharge rate and long service life.
- Excellent circuit design provides overcharging protection, over discharging protection and short circuit protection.
- Robust alloy made housing features high corrosion resistance and impact resistance. Watertight enclosure allows it to be used in the harsh environments.
- Non-slip surface, compact and lightweight ergonomic design allows for easy carrying.
- Two types of light sources are available: cool white and warm white.

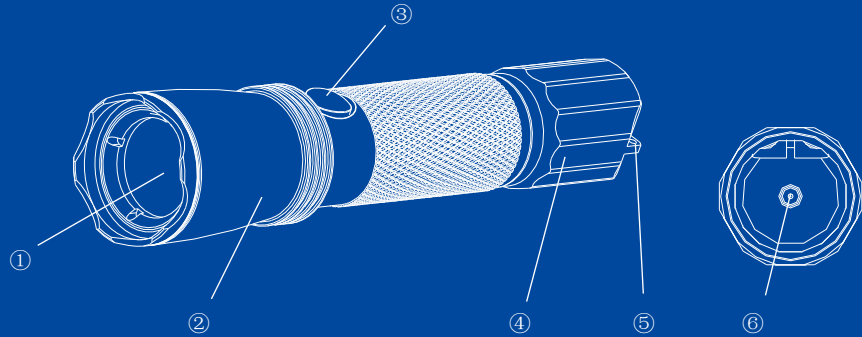


OK OCEAN'S KING LIGHTING SCIENCE & TECHNOLOGY CO., LTD.
海洋王

Address: Ocean's King Science & Technology Tower, No. 1601,
Gaoxin Road, Guangming New District, Shenzhen, China
Tel: +86 755 26492666 / 23242666 Fax: +86 755 26406711
http: //www.oceansking.com E-mail: global@oceansking.com

■ Components

1. Light source
2. Light head
3. Switch
4. Back cover
5. Hole for carrying strap
6. Charging port



■ Technical data

Model: JW7622

1. Rated voltage: 3.7 V DC
2. Rated capacity: 2 Ah
3. Lamp life: ≥ 100000 h
4. Flash frequency: 8 Hz - 10 Hz
5. Duration: 19 h (Working light)
8 h - 9 h (Spotlight)
6. Charging time: 6 h
7. Battery life: approx. 1000 cycles
8. Dimensions: $\varnothing 35$ mm \times 157 mm (outside diameter \times length)
9. Weight: 0.23 kg
10. Degree of protection: IP 66

