

APPLICATIONS

Suitable for illumination of firefighting scenes and outdoor rescue works.

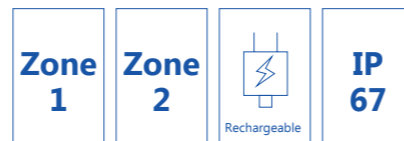


JW7302

EXPLOSION-PROTECTED FLASHLIGHT

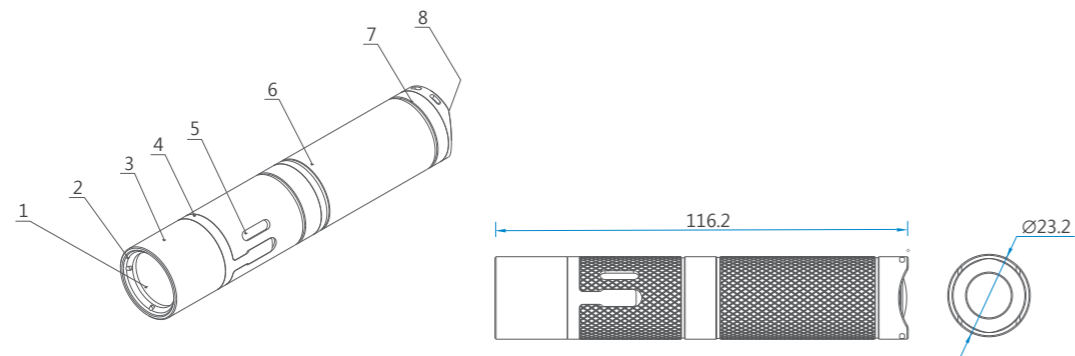


- Type of protection: intrinsic safety
- Compact and lightweight design
- Indication of available operating time and charging state
- Supplied with micro USB port for charging
- Robust housing offering superior impact resistance and high/low temperature resistance



DIMENSION DRAWINGS

1. Lens
2. Front ring
3. Light head sleeve
4. USB plug
5. Battery capacity indicator
6. Body sleeve
7. Back cover
8. Switch

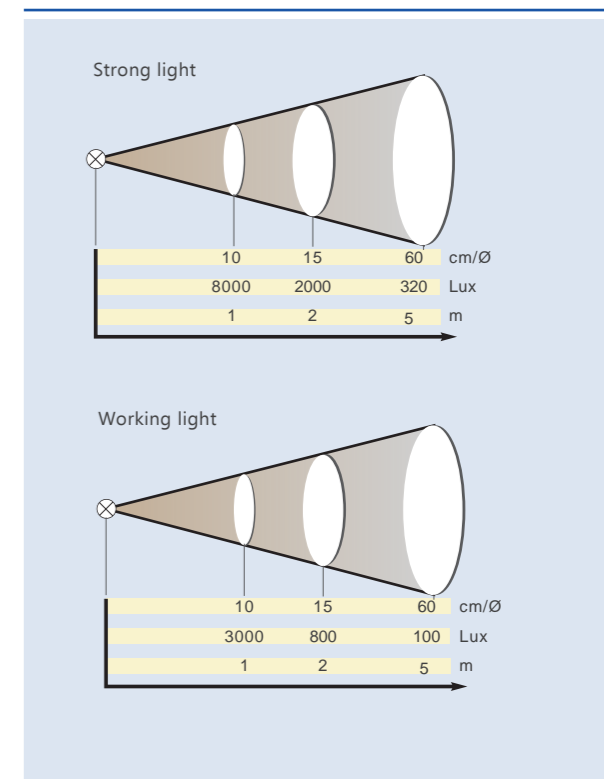


*all dimensions in mm

TECHNICAL DATA

Certification	International approvals: CB, CE, RoHS, CCC, CNEX
	Coding: Ex ib IIC T4 Gb
Conformity to standards	IEC 60079 / IEC 60598
Material	
Body material	Aluminum alloy
Diffuser	Tempered glass
Light source	
Wattage	3 W
Type	LED
Luminous efficiency	140 lm / W
Current	170 mA(working light) 400 mA(spotlight)
Life	≥ 100000 h
Rated voltage	
Input	100 V - 240 V AC 50 Hz / 60 Hz
Output	3.7 V DC
Battery	
Type	Lithium battery
Capacity	1900 mAh
Life	1000 cycles
Charging time	< 4 h
Duration	≥ 4 h(spotlight) ≥ 8 h(working light)
Degree of protection	IP66 / IP67
Ambient temperature	-20 °C to +55 °C

RANGE DIAGRAM



SELECTION TABLE

Model	Type	Weight (kg)
JW7302/3/LED	Cool white	0.10

ACCESSORIES

Name	Picture	Ordering code	Weight (kg)
Adapter		1303010166	0.10
Charger-Chinese Plug		1303010175	0.10