



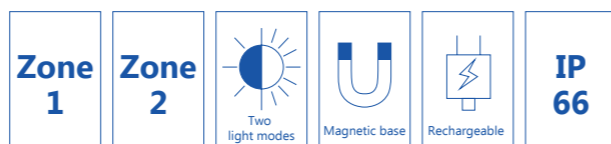
APPLICATIONS

- I. Designed to provide specific portable lighting for rescue operations, patrol works, inspection works, goods yards handling operations, etc.
- II. Ideal for use as emergency lighting in the tunnels, metros, caves, construction areas, etc.

JIW5282 EXPLOSION-PROTECTED HAND LAMP

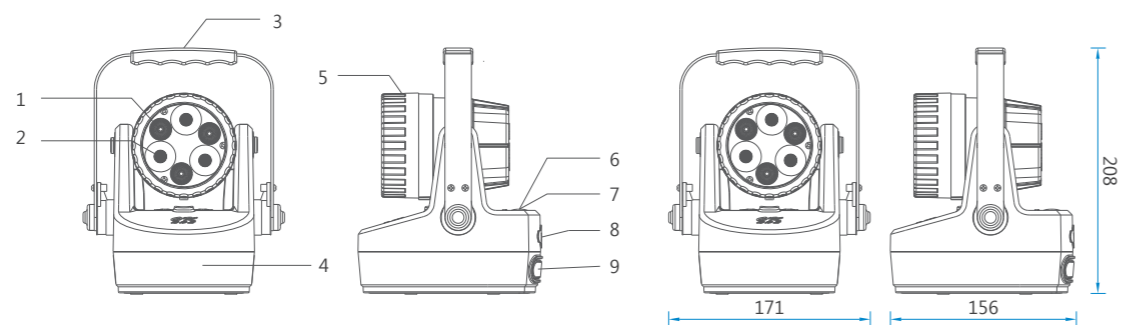


- Designed for Zone I and Zone II applications
- Available with spotlight, working light and yellow warning light
- Operating duration: more than 10 hours (high beam mode), more than 24 hours (medium beam mode), more than 80 hours (low beam mode)
- Fast charging mode allowing for higher than 80% of capacity after 2-hour charging and full charging within 3.5 hours
- Indication of residual battery capacity and low capacity warning
- Designed with various carrying modes, such as magnetic adsorption, put on the ground, hand carrying



DIMENSION DRAWINGS

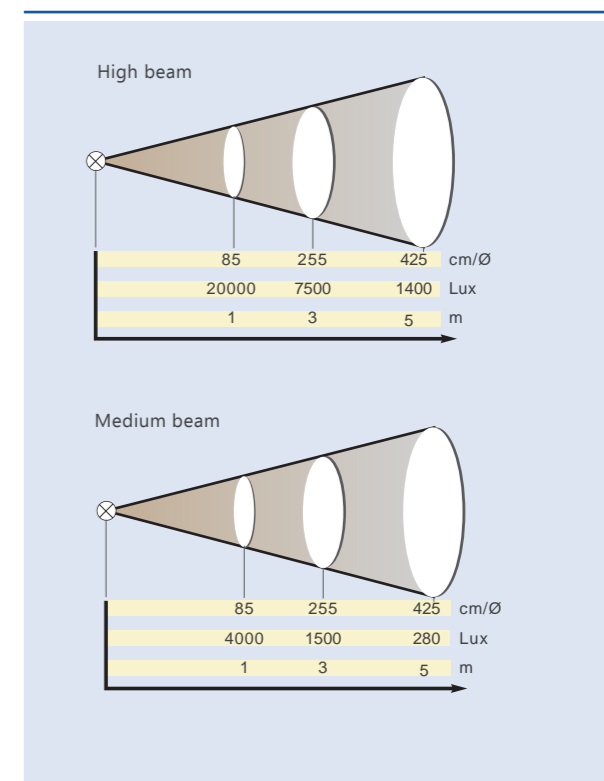
- Working light
- Spotlight
- Handle
- Battery
- Light head
- Switch button
- Battery capacity indicator
- Charging port
- Yellow warning light



TECHNICAL DATA

Certification	International approvals: ATEX, IECEx, CB, CCC, CNEX, Ex d e ib mb IIC T6 Gb
Conformity to standards	IEC 60079 / IEC 60598
Material	Body material: Polycarbonate Diffuser: Tempered glass
Light source	Wattage: 12 W Type: LED Luminous efficiency: 140 lm / W Current: 1.08 A (high beam) 0.36 A (medium beam) 0.09 A (low beam) Life: ≥ 100000 h
Rated voltage	Input: 100 V - 240 V AC 50 Hz / 60 Hz Output: 11.1 V DC
Battery	Type: Lithium battery Capacity: 5 Ah Life: 1000 cycles Charging time: < 3.5 h Duration: ≥ 10 h (high beam) ≥ 24 h (medium beam) ≥ 80 h (low beam)
Degree of protection	IP66
Ambient temperature	-20 °C to +55 °C

RANGE DIAGRAM



SELECTION TABLE

Model	Type	Weight (kg)
JIW5282/12/LED	Cool white	1.70

ACCESSORIES

Name	Picture	Ordering code	Weight (kg)
Charger - Chinese plug		1303010188	0.20