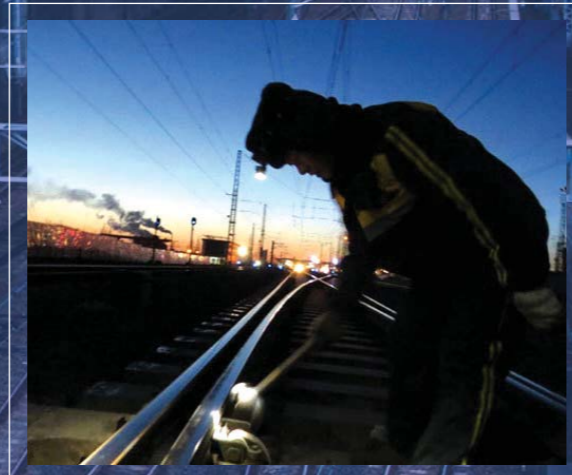


APPLICATIONS

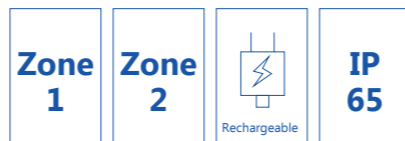
Suitable for illumination of security patrols, inspection and repair works, construction operations, rescue operations.



IW5133 EXPLOSION-PROTECTED HEADLAMP

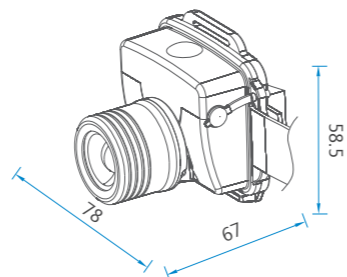
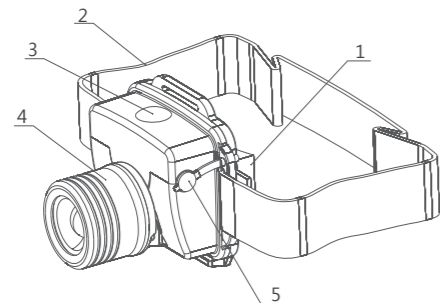


- Designed for Zone I and Zone II applications
- Up to 8 hours of operating duration
- Spotlight and working light adjustable
- Two types of light sources available: cool white and warm white
- Indication of residual battery capacity and low capacity warning
- Designed to be worn on the head or on the helmet by the strap



DIMENSION DRAWINGS

1. Pad
2. Strap
3. Switch
4. Adjustable light head
5. Charging port

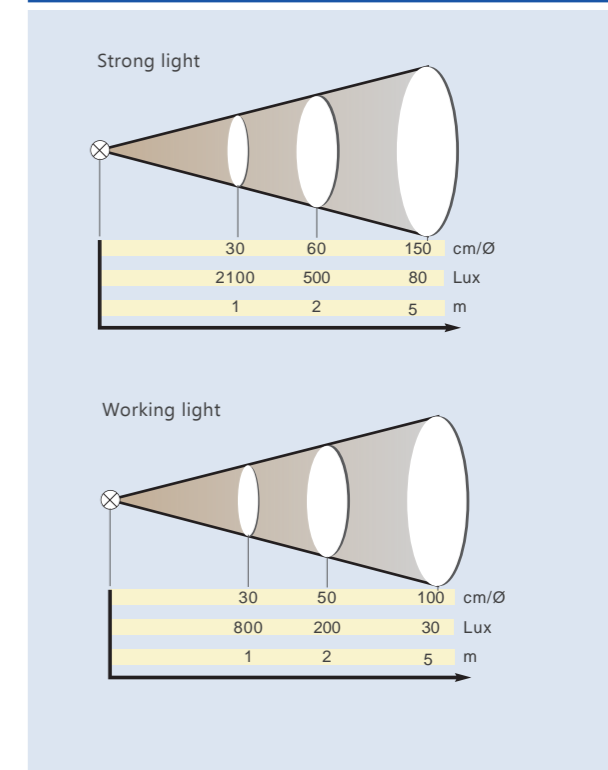


*all dimensions in mm

TECHNICAL DATA

Certification	International approvals: CCC, CNEX
	Coding: Ex ib IIC T3 Gb
Conformity to standards	IEC 60079 / IEC 60598
Material	Body material: Polycarbonate
	Diffuser: Polycarbonate
Light source	Wattage: 3 W
	Type: LED
	Luminous efficiency: 140 lm / W
	Current: 120 mA(working light)
	320 mA(spotlight)
	Life: ≥ 100000 h
Rated voltage	Input: 100 V - 240 V AC 50 Hz / 60 Hz
	Output: 3.7 V DC
Battery	Type: Lithium battery
	Capacity: 2 Ah
	Life: 1000 cycles
	Charging time: ≤ 6.5 h
	Duration: ≥ 8 h(spotlight)
	≥ 16 h(working light)
Degree of protection	IP65
Ambient temperature	-20 °C to +40 °C

RANGE DIAGRAM



SELECTION TABLE

Model	Type	Weight (kg)
IW5133/3/LED	Cool white	0.11

ACCESSORIES

Name	Picture	Ordering code	Weight (kg)
Charger-Chinese Plug		1303030074	0.06