

APPLICATIONS

Designed for illumination of inspection works of drilling rig, maintenance tasks on drilling site and in refineries, and task specific portable lighting in other hazardous locations.

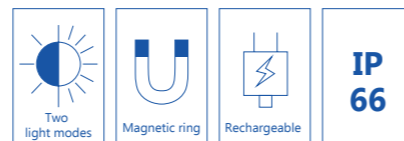


FW6601

EXPLOSION-PROTECTED PORTABLE WORKLIGHT

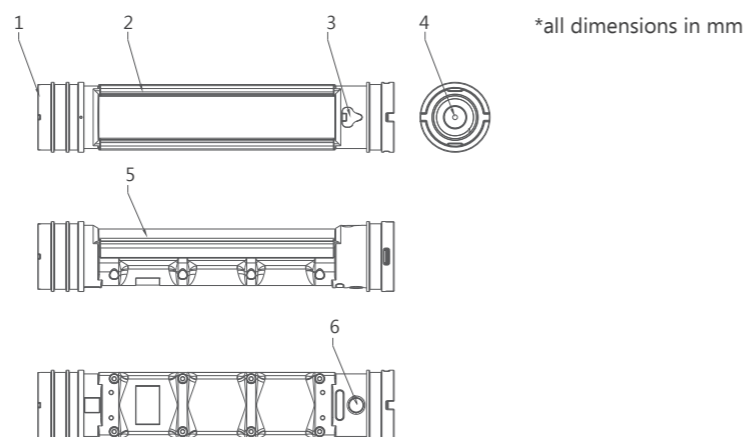


- Ideal for use in Zone 1 and gas group IIC
- Yellow indicating light available for use as location indicator and mosquito repellent device
- Degree of protection up to IP 66
- Yellow and blue warning light providing warning sign in the night
- Designed to be carried by hand, carried by shoulder and adsorbed by magnetic force



COMPONENTS

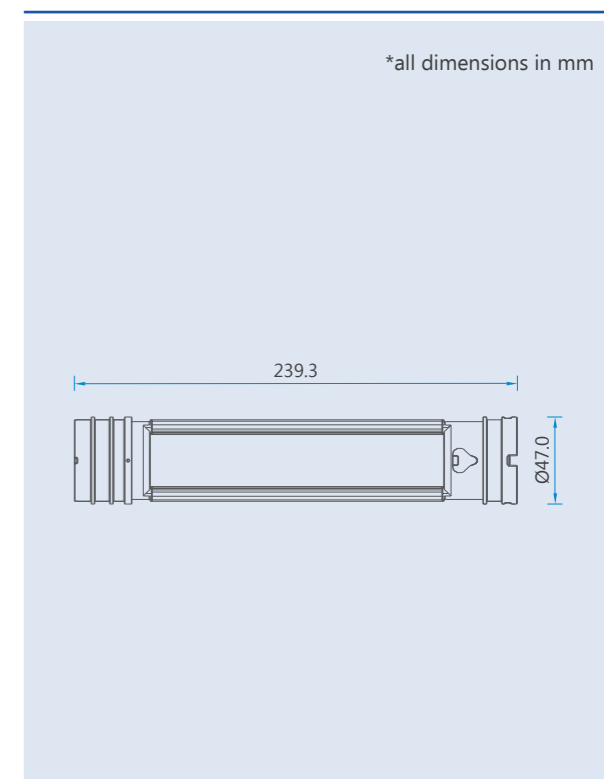
1. Light head (narrow beam)
2. Battery
3. Charging port
4. Switch for narrow beam and broad beam
5. Body (broad beam, red and blue signaling flash light, yellow indicating light)
6. Switch for signaling flash light and indicating light



TECHNICAL DATA

Certification	
International approvals	CE, CB, ATEX, IECEx, IECEx
Coding	Ex d ib IIC T4 Gb
Conformity to standards	IEC 60598
Material	
Body material	Aluminum alloy
Diffuser	PC
Light source	
Wattage	6 W (broad beam) 3 W (narrow beam)
Type	LED
Luminous flux	172 lm (narrow beam, working light) 339 lm (narrow beam, spotlight) 504 lm (broad beam, working light) 720 lm (broad beam, spotlight)
Life	100000 h
Charger	
Input voltage	100 V - 240 V AC 50 Hz / 60 Hz
Output voltage	3.7 V DC
Battery	
Type	Li-ion battery
Capacity	5 Ah
Charging time	< 5 h
Duration	> 16 h (narrow beam, working light) > 8 h (narrow beam, spotlight) > 8 h (broad beam, working light) > 4 h (broad beam, spotlight)
Degree of protection	IP 66
Ambient temperature	-20 °C to +55 °C

DIMENSIONAL DRAWINGS



SELECTION TABLE

Model	Type	Weight (kg)
FW6601/LED	Cool white	0.53 ± 0.02

ACCESSORIES

Name	Ordering code	Weight (kg)
Charger	1340010056	0.18