

### APPLICATIONS

Suitable for small scope maintenance and construction lighting of combustible and explosive area in Oil & Gas and chemical.



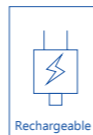
## FW6117 EXPLOSION-PROTECTED PORTABLE LIGHT



- Rechargeable
- Indication of available battery capacity
- Portable shoulder back, more light for carry
- Multi-level light, with spotlight, floodlight, super lighting, and red or blue warning lights

Zone 1

Zone 2

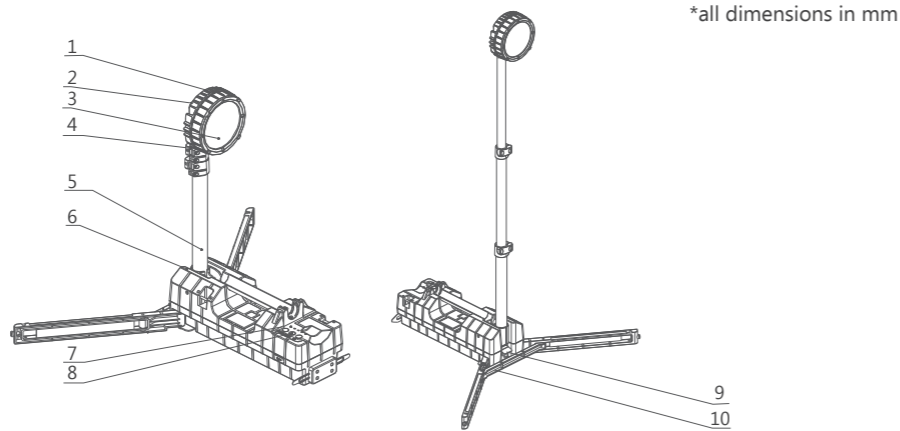


IP 66



### COMPONENTS

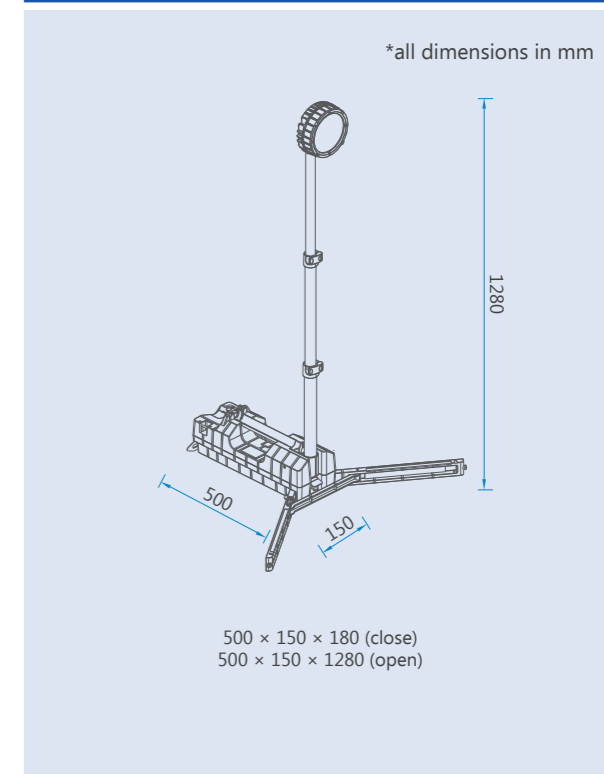
1. Light head
2. Signal light
3. Main light
4. Wrench group
5. Telescopic mast assembly
6. Battery case
7. Battery level indicator
8. Control panel
9. Lifting bar limit button
10. Foot connecting rod



### TECHNICAL DATA

|                                |  |
|--------------------------------|--|
| <b>Certification</b>           | International approvals: ATEX, IECEX, CB, CCC, CNEX  |
|                                | Coding: Ex d e ib mb IIC T6 Gb                       |
| <b>Conformity to standards</b> | IEC 60079 / IEC 60598                                |
| <b>Material</b>                | Body material: Polycarbonate                         |
|                                | Diffuser: Polycarbonate                              |
| <b>Light source</b>            | Wattage: 50 W  |
|                                | Type: LED  |
|                                | Luminous efficiency: 140 lm / W                      |
|                                | Warning light: Red / Blue                            |
|                                | Life: ≥ 100000 h                                     |
| <b>Rated voltage</b>           | Input: 100 V - 240 V AC 50 Hz / 60 Hz                |
|                                | Output: 22 V DC                                      |
| <b>Battery</b>                 | Type: Lithium battery                                |
|                                | Capacity: 10 Ah                                      |
|                                | Life: 1000 cycles                                    |
|                                | Charging time: < 6 h                                 |
|                                | Duration: ≥ 16 h (spotlight)<br>≥ 10 h (flood light) |
| <b>Degree of protection</b>    | IP66   |
| <b>Ambient temperature</b>     | -20 °C to +55 °C                                     |

### DIMENSION DRAWINGS



### SELECTION TABLE

| Model         | Type       | Weight (kg) |
|---------------|------------|-------------|
| FW6117/50/LED | Cool white | 6.50        |

### ACCESSORIES

| Name                 | Picture | Ordering code | Weight (kg) |
|----------------------|---------|---------------|-------------|
| Charger-Chinese Plug |         | 1303010187    | 0.40        |