

APPLICATIONS

Suitable for illumination of hazardous locations in various industries.

Suitable for use in adverse environments where vibration, rain, difficult maintenance works may be a problem.



FW6102GF

EXPLOSION-PROTECTED LED WORKLIGHT

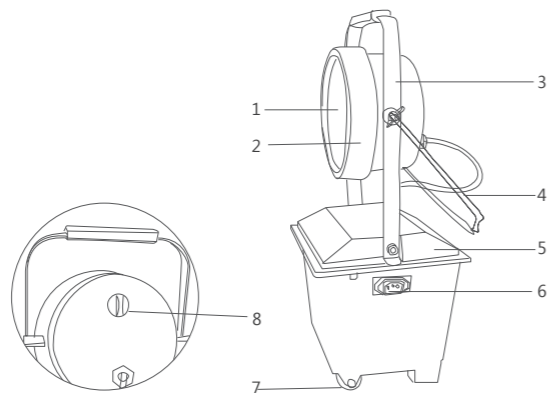


- Rechargeable
- Robust light alloy enclosure
- Transparent cover: tempered glass
- Easy to carry due to two wheels and a strap
- Adjustable light head (within 60°)



COMPONENTS

1. Lamp
2. Light head
3. Handle
4. Strap
5. Battery box
6. Charging port
7. Wheel
8. Switch

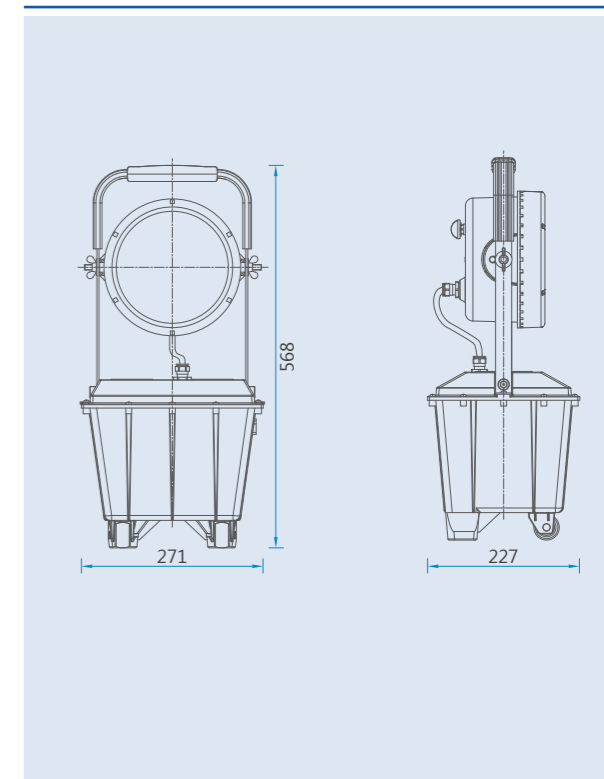


*all dimensions in mm

TECHNICAL DATA

Certification	International approvals: CCC, CNEX Coding: Ex de IIC T6 Gb
Conformity to standards	IEC 60079 / IEC 60598
Material	Enclosure: Aluminum alloy Diffuser: Tempered glass
Light source	Wattage: 30 W Type: LED Luminous efficacy: 110 lm / W Life: 100000 h
Charger	Input voltage: 100 V - 240 V AC 50 Hz / 60 Hz Output voltage: 24 V DC
Battery	Type: Lead-acid battery Capacity: 12 Ah Charging time: 12 h (after normal discharging) ≥16 h (after completely discharging)
Duration	> 10 h (spotlight) > 20 h (working light)
Degree of protection	IP 65
Ambient temperature	-20 °C to +55 °C

DIMENSIONAL DRAWINGS



SELECTION TABLE

Model	Type	Weight (kg)
FW6102GF/30/LED	/	14.80

ACCESSORIES

Name	Ordering code	Weight (kg)
Charger	1303030069	0.49