

### APPLICATIONS

I. Suitable for illumination of fracturing trucks and tank areas in oil and gas industry, and other locations such cable tunnels, boiler areas, mining areas, construction sites on the railway, etc.



## FW6102A/FW6102B EXPLOSION-PROTECTED LED WORKLIGHT



- Suitable for use in Zone 1 and Zone 2
- Voltage of driver: AC/DC 24/36V, DC 12V, AC 220V
- Superior explosion protection, heat dissipation, water resistance and vibration resistance
- Degree of protection: IP 65

Zone  
1

Zone  
2

Rechargeable

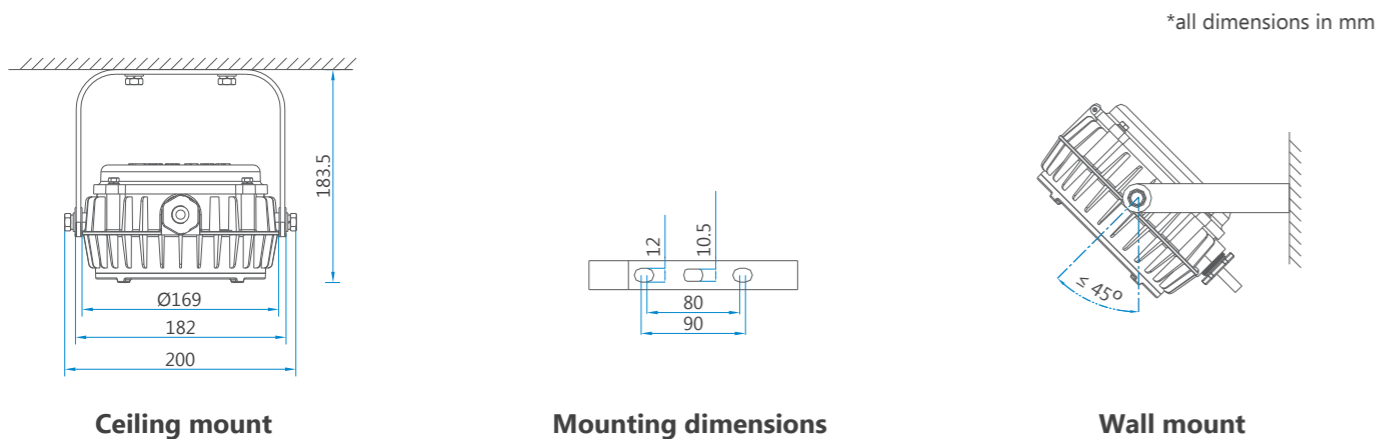
IP  
65

Wall  
mount

Ceiling  
mount



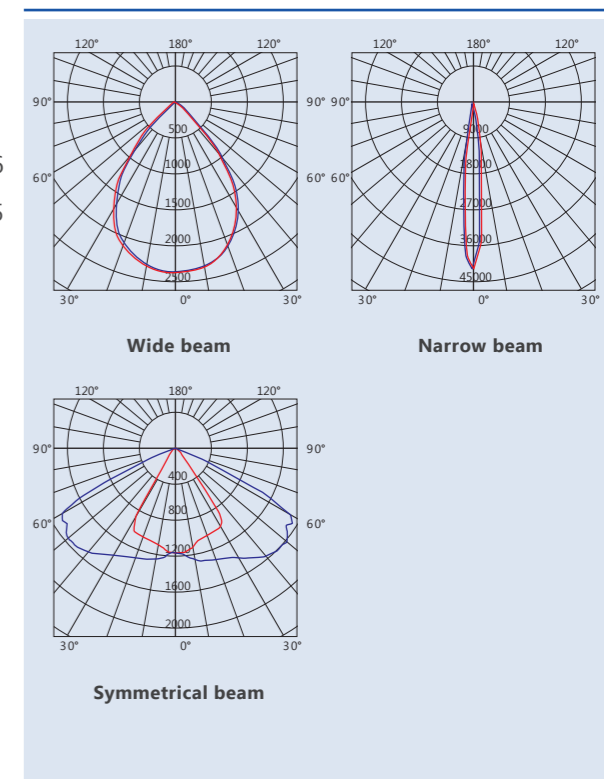
### MOUNTING TYPE



### TECHNICAL DATA

|                                |   |
|--------------------------------|---|
| <b>Certification</b>           | International approvals: ATEX, IECEX, CCC, CNEX                         |
|                                | Coding: Ex mb nA IIC T6 Gc, Ex tD A21 IP65 T6                           |
|                                | Ex mb nA IIC T5 Gc, Ex tD A21 IP65 T5                                   |
| <b>Conformity to standards</b> | IEC 60079 / IEC 60598   |
| <b>Material</b>                |   |
| Body material                  | Aluminum alloy with epoxy powder coating                                |
| Diffuser                       | Tempered glass  |
| <b>Light source</b>            |   |
| Wattage                        | 30 W  |
| Type                           | LED   |
| Luminous flux                  | 3000 lm (narrow beam)<br>3100 lm (narrow beam)<br>2500 lm (narrow beam) |
| Life                           | 50000 h   |
| <b>Rated voltage</b>           |   |
| Input                          | 220 V - 240 V AC 50 Hz / 60 Hz  |
| Output                         | 24 V / 36 V AC / DC<br>12 V DC  |
| <b>Degree of protection</b>    | IP 65   |
| <b>Ambient temperature</b>     | -20 °C to +40 °C  |
| <b>Cable entry</b>             | G3/4  |

### PHOTOMETRIC DATA



### SELECTION TABLE

| Model          | Type                | Weight (kg) |
|----------------|---------------------|-------------|
| FW6102A/30/LED | 24 V / 36 V DC / AC | 3.30        |
| FW6102A/30/LED | 12 V DC             | 3.30        |
| FW6102B/30/LED | 220 V - 240 V AC    | 3.30        |

### ACCESSORIES

| Name                                   | Picture | Ordering code | Weight (kg) |
|--|---------|---------------|-------------|
| Style-A Lamp holder power AC/DC 24/36V |         | 1305010057    | 0.29        |
| Style-A Lamp holder power DC 12V       |         | 1333010045    | 0.29        |
| Style-B Lamp holder power AC220V       |         | 1333010047    | 0.27        |